

TRANSIENT

DAC ONE datasheet and application information



research by LISTENING

The Dac One is a modern high precision dac replacement for old dacs very often used in "non oversampled" systems like the old TDA 1543 and TDA 1541. It is not a pin compatible replacement but a way to build up an converter system which can meet the best systems today in terms of sound quality.

Architecture

The Dac One is build up around a fast 16 bits and very precise R2R ladder network. To match this ladder network to real audio formats, fast glue logic is added and makes the dac compatible with RJ16, RJ24 and I2S standards. The Dac One is physically split up in two sections . The digital section is running on 5 Volt DC while the analog section is running on a symmetrical +/- 6 Volts. Both positive or negative reference voltages can be used and gives a fully symmetrical voltage or current swing. Like one bit dacs the Dac One can handle 24 bit formats due to forward control techniques as realized with our FPGA based "Forward Correction Module"

Versions available

The ladder network is designed as a current output device so to get a voltage out an I/V converter is needed. Depending on designers needs the Dac One is available in two versions:

Current output version (Dac one - C)

The current output coming from the R2R ladder is directly available on one of the output pins.

Maximum load is 33 Ohm with 10 VDC reference voltage

Output voltage (10 Volt ref)		2nd harmonic	3rd harmonic
100 Ohms	50 mV	0.02%	0.0009%
50 Ohms	25 mV	0.007%	0.0002%
33 Ohms	16 mV	0.002%	0.0001%

Voltage output version (Dac One - V)

In this version the ladder is connected to an I/V converter having an extremely fast (1500 V/ μ Sec) slew rate and a bandwidth of 500 MHz . This approach gives a very open and detailed sound without the restrictions of very often used silicon.

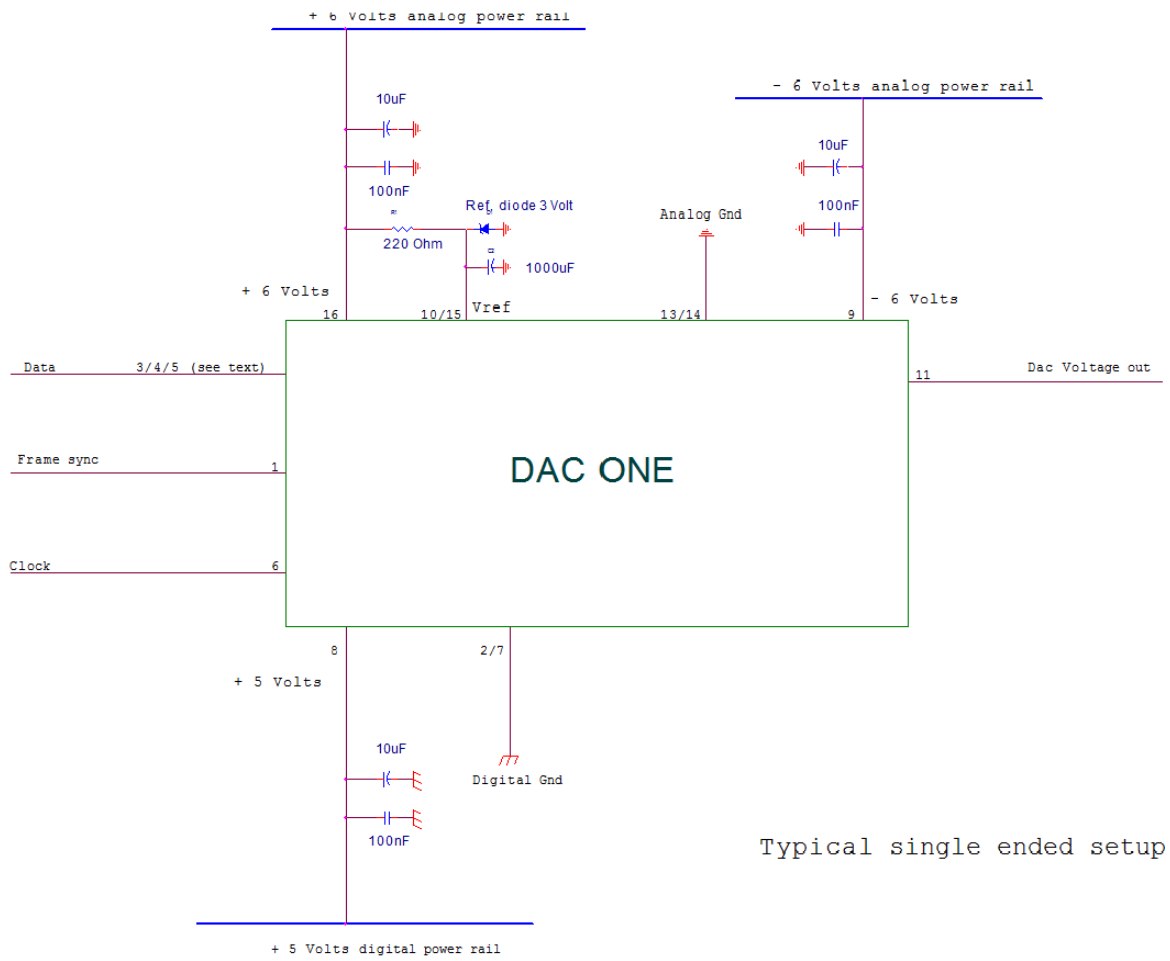
Low pass filter

In case of the voltage output version, a passive first order network is added to the I/V converter and has its -3dB point at 70 kHz.

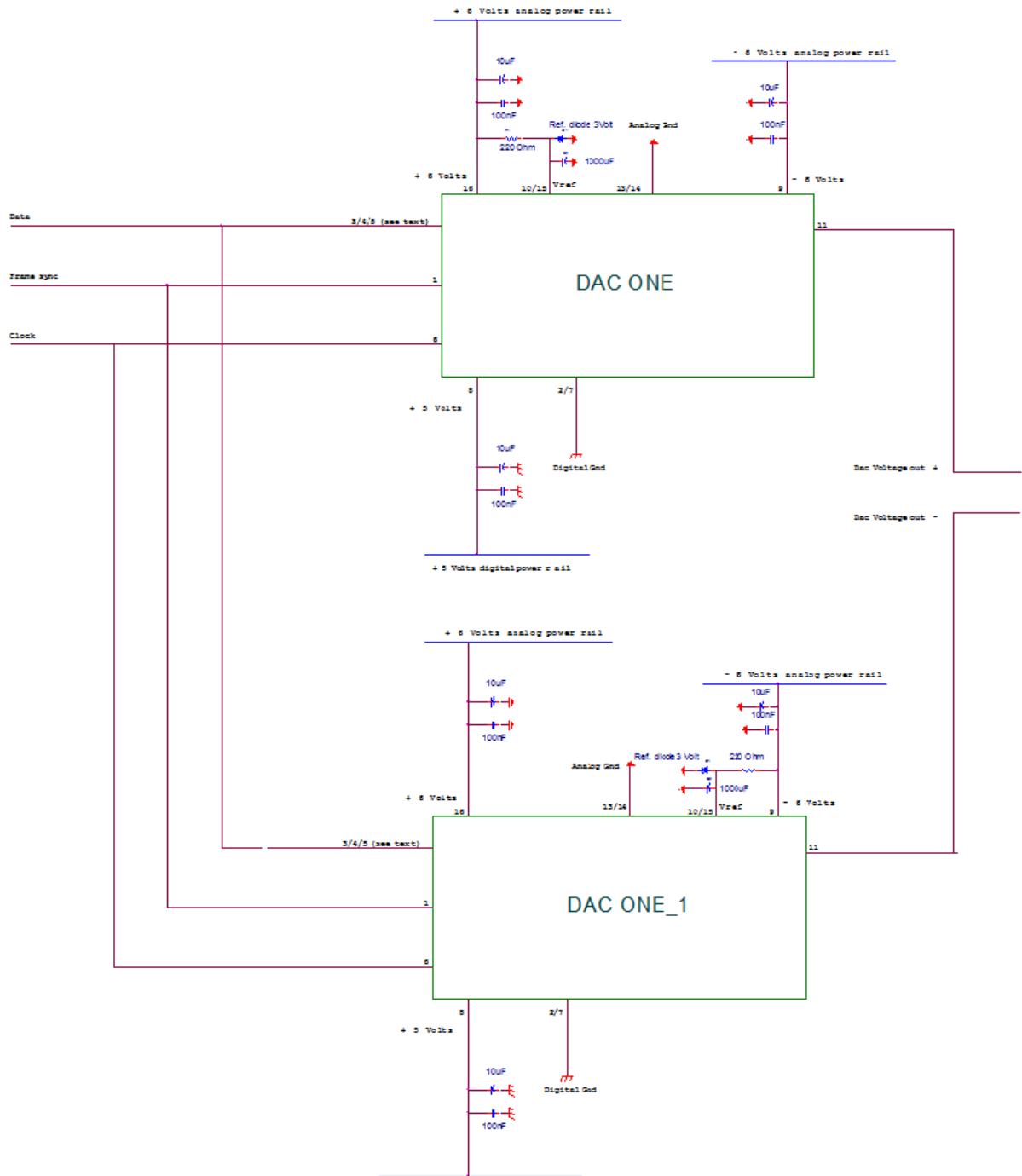
Absolute maximum ratings ratings

Analog Power Supply ± 6.5 VDC	Current version ± 12 VDC
Digital Power Supply 5.5 VDC	Current version 5.5 VDC
Storage Temperature Range: D, DBV -65 to $+125$ °C	
Junction Temperature (TJ) $+175$ °C	
Human Body Model (HBM) 2000 V	
ESD Ratings Charge Device Model (CDM) 1500 V	
Stresses above these ratings may cause permanent damage.	
Reference voltage ± 3 VDC	Current version ± 10 VDC

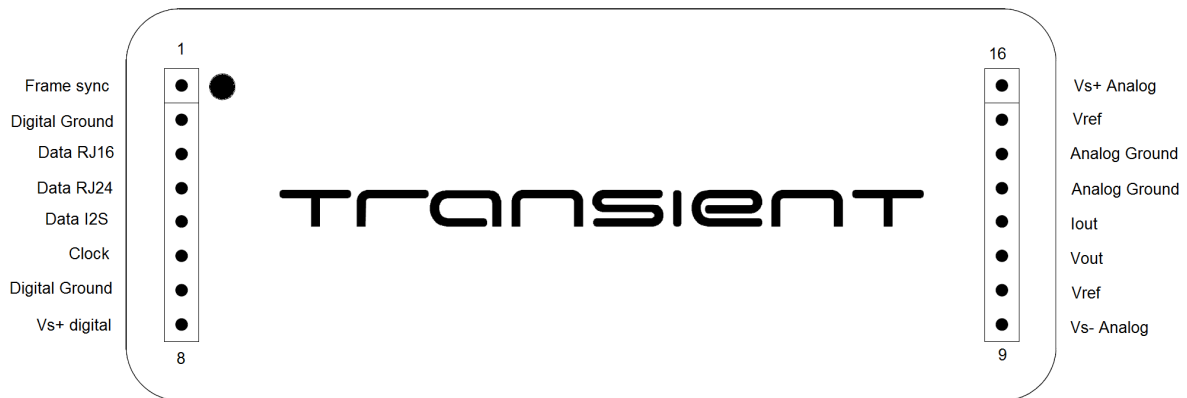
Applications



Simple "Single ended " voltage out design for one channel.



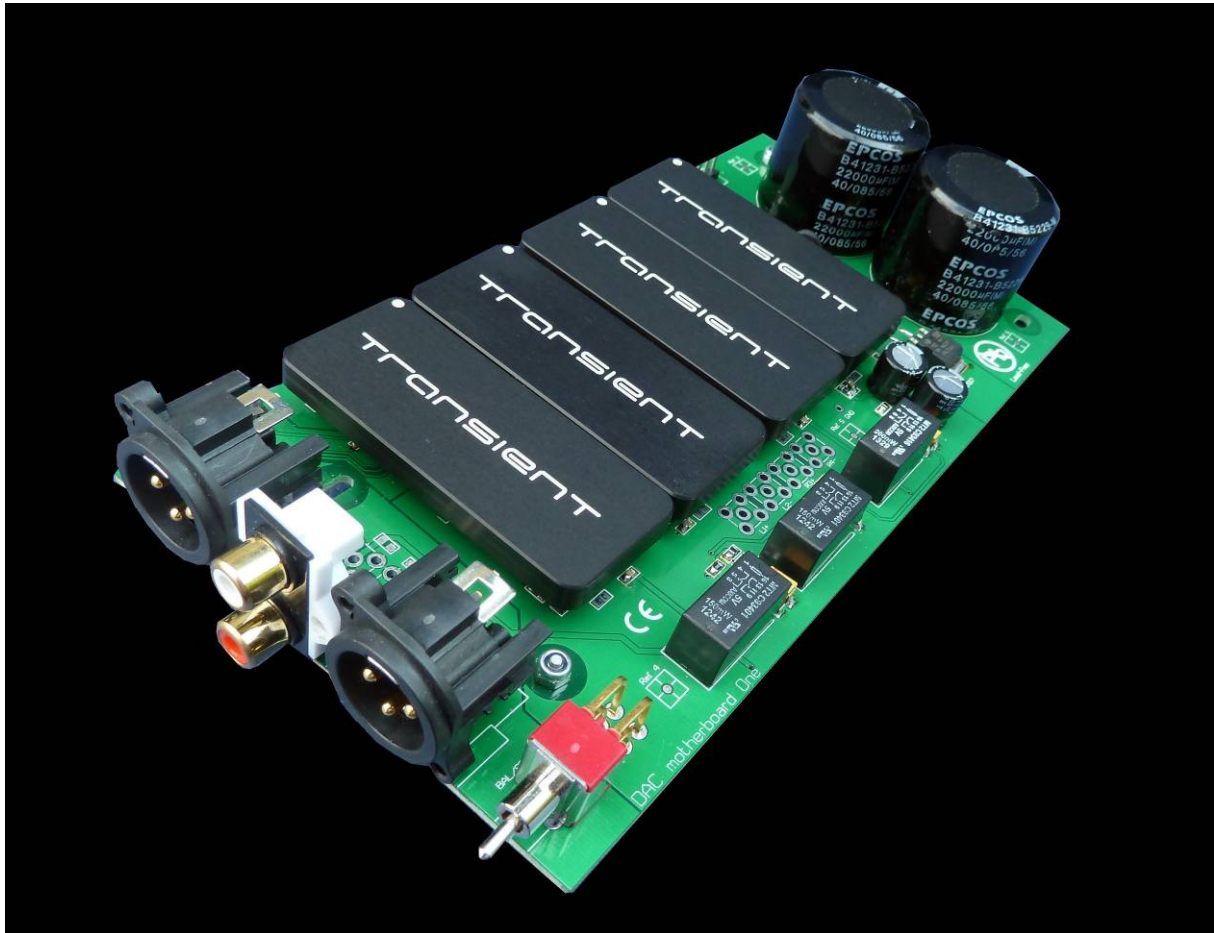
Balanced design for one channel. Only reference voltages has different polarities.



Shown from top side of dac module

Pin configuration

- Pin 1 Frame sync/ Write control digital input Active low
- Pin 2 Digital Ground
- Pin 3 Input data format Right Justified 16 (when in use, leave other input pins open)
- Pin 4 Input data format Right Justified 24 (when in use, leave other input pins open)
- Pin 5 Input data format I2S (when in use, leave other input pins open)
- Pin 6 Clock input
- Pin 7 Digital Ground
- Pin 8 Digital power supply + 5 Volt
- Pin 9 Analog negative power supply -6 Volt Current version -12 Volt
- Pin 10 Vref, Typical +3VDC or -3VDC for 2Volts RMS output. (voltage output version) tied with pin 15. In case of Current version max . +10 VDC or -10 VDC
- Pin 11 Vout, Output of the I/V converter including the 70kHz first order low pass filter.
- Pin 12 I out, Current output directly from the ladder network. (current output version)
- Pin 13 Analog Ground
- Pin 14 Analog Ground
- Pin 15 Vref, Typical +3VDC or -3VDC for 2Volts RMS output. (voltage output version) tied with pin 10. In case of Current version max . +10 VDC or -10 VDC
- Pin16 Analog positive power supply +6 Volt Current version +12 Volt



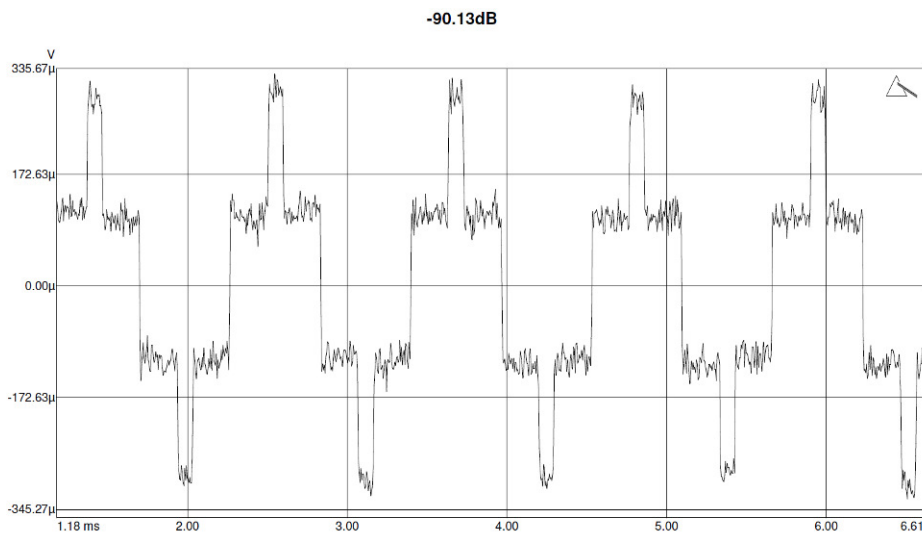
The DAC ONE used in a balanced stereo configuration. By switching the reference voltages the dac can be converted to a single ended output version.



Pin position is based on standard grid of 0.1 Inch (2.54 mm)

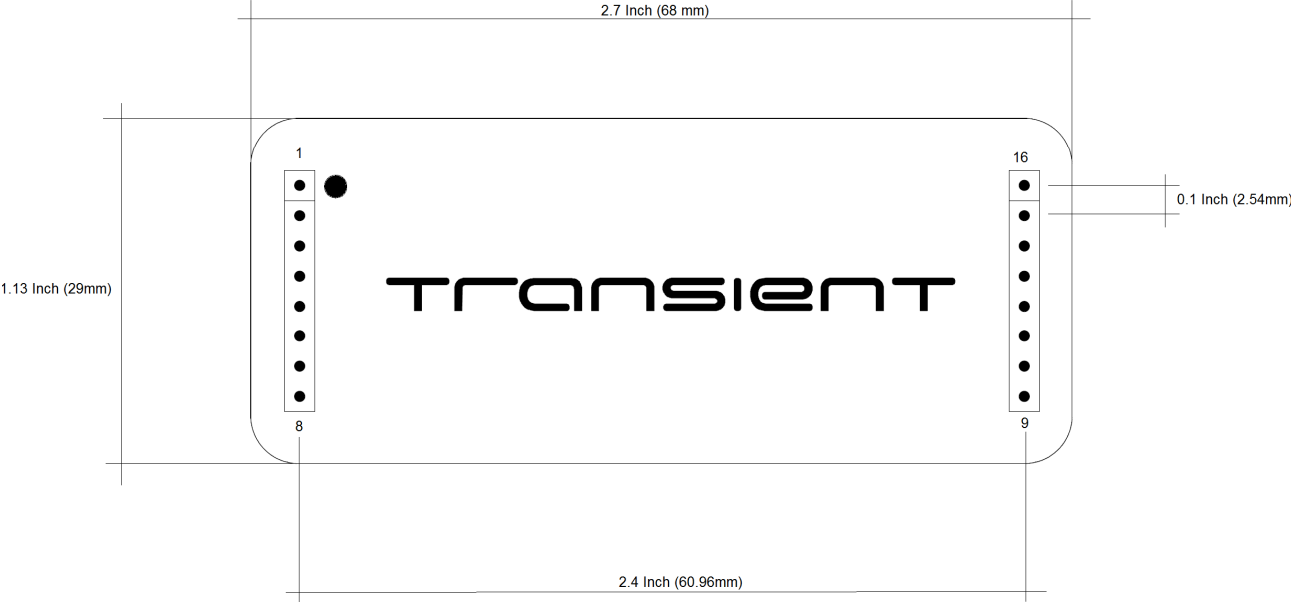
Technical specs

Resolution	16 bits
Accuracy	1LSB
Differential non linearity	0.5 LSB
Output current (current output version)	max. 1.5 mA
Max reference voltage for 2 Volts RMS output (voltage output version)	+/- 3Volts
(current version)	+/-10 Volts
Noise related to 2 Volts RMS output (FFFF digital input data)	-125dB
Noise related to 2 Volts RMS output (0000 digital input data)	-140dB
Output impedance (voltage output version)	100 Ohm
Max offset voltage (voltage output version)	1 mV
THD (44.1kHz sampling) (voltage output version)	0.008 %
Total power consumption	92 milliWatt
Digital part	5 Volt 3.5 mA
Analog part (voltage output version)	+/- 6 Volt 7.5 mA
(current version)	+/- 12 Volt 12 mA



Sine produced on -90.13dB undithered

Dimensions



Distance of pins is based on standard grid of 0.1 Inch or 2.54 mm.

IMPORTANT NOTICE

All Engineering and its subsidiaries (AE) reserve the right to make corrections, enhancements, improvements and other changes to its products. Buyers should obtain the latest relevant information before placing orders and should verify that such information is current and complete. All products are sold subject to AE's terms and conditions of sale supplied at the time of order acknowledgment. AE warrants performance of its components to the specifications applicable at the time of sale, in accordance with the warranty in AE's terms and conditions of sale of products. Testing and other quality control techniques are used to the extent AE deems necessary to support this warranty. Except where mandated by applicable law, testing of all parameters of each component is not necessarily performed. AE assumes no liability for applications assistance or the design of Buyers' products. Buyers are responsible for their products and applications using AE products. To minimize the risks associated with Buyers' products and applications, Buyers should provide adequate design and operating safeguards. AE does not warrant or represent that any license, either express or implied, is granted under any patent right, copyright, mask work right, or other intellectual property right relating to any combination, machine, or process in which AE products or services are used. Information published by AE regarding third-party products or services does not constitute a license to use such products or services or a warranty or endorsement thereof. Use of such information may require a license from a third party under the patents or other intellectual property of the third party, or a license from AE under the patents or other intellectual property of AE. Reproduction of significant portions of AE information in AE data books or data sheets is permissible only if reproduction is without alteration and is accompanied by all associated warranties, conditions, limitations, and notices. AE is not responsible or liable for such altered documentation. Information of third parties may be subject to additional restrictions. Resale of AE components or services with statements different from or beyond the parameters stated by AE for that component or service voids all express and any implied warranties for the associated AE component or service and is an unfair and deceptive business practice. AE is not responsible or liable for any such statements. Buyer acknowledges and agrees that it is solely responsible for compliance with all legal, regulatory and safety-related requirements concerning its products, and any use of AE components in its applications, notwithstanding any applications-related information or support that may be provided by AE. Buyer represents and agrees that it has all the necessary expertise to create and implement safeguards which anticipate dangerous consequences of failures, monitor failures and their consequences, lessen the likelihood of failures that might cause harm and take appropriate remedial actions. Buyer will fully indemnify AE and its representatives against any damages arising out of the use of any AE products in other than audio related applications.